

GENERAL NOTES

1. If there is no basement, minimum depth of footing to be 30" below grade.
2. Steel shall not overlap at corners. Bent bars are required.
3. Minimum steel overlap at joints to be 18".
4. Wall with brick veneer to be a minimum of 10" thick.
5. Protect steel reinforcement from contact with ground.
6. All bars shall be #4 minimum

PD* – Install perimeter drain and backfill according to the manufacturers recommendations.

0100-070

Standard Details

Typical Footings & Foundations



BUILDING INSPECTION DEPARTMENT

FILE: Foundation_2015-07-10.dwg

DRAWN: RichardH

DATE: 2015-07-10

SCALE: 1/2" = 1'-0"

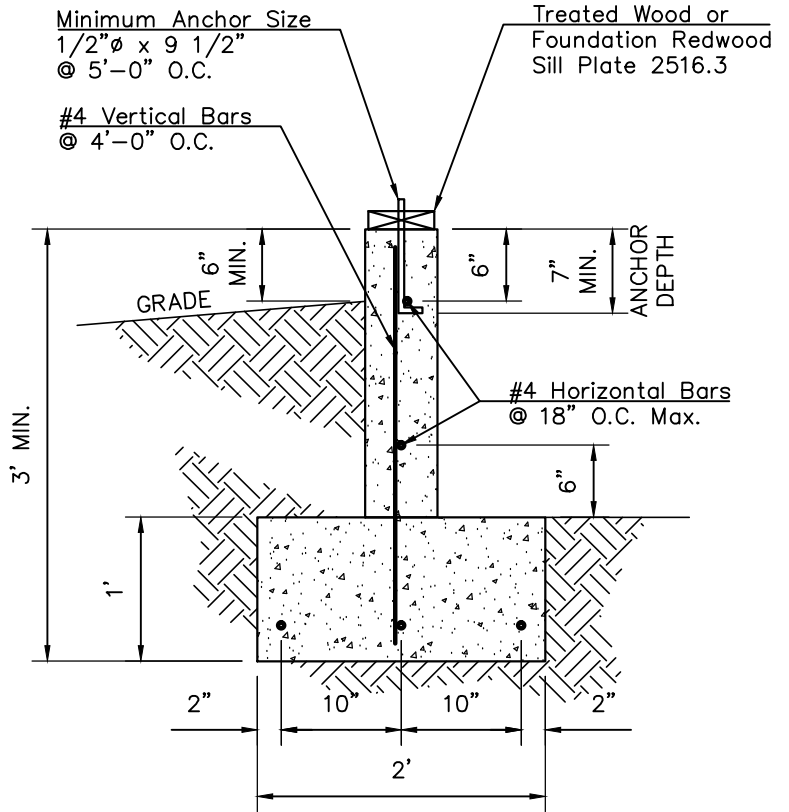
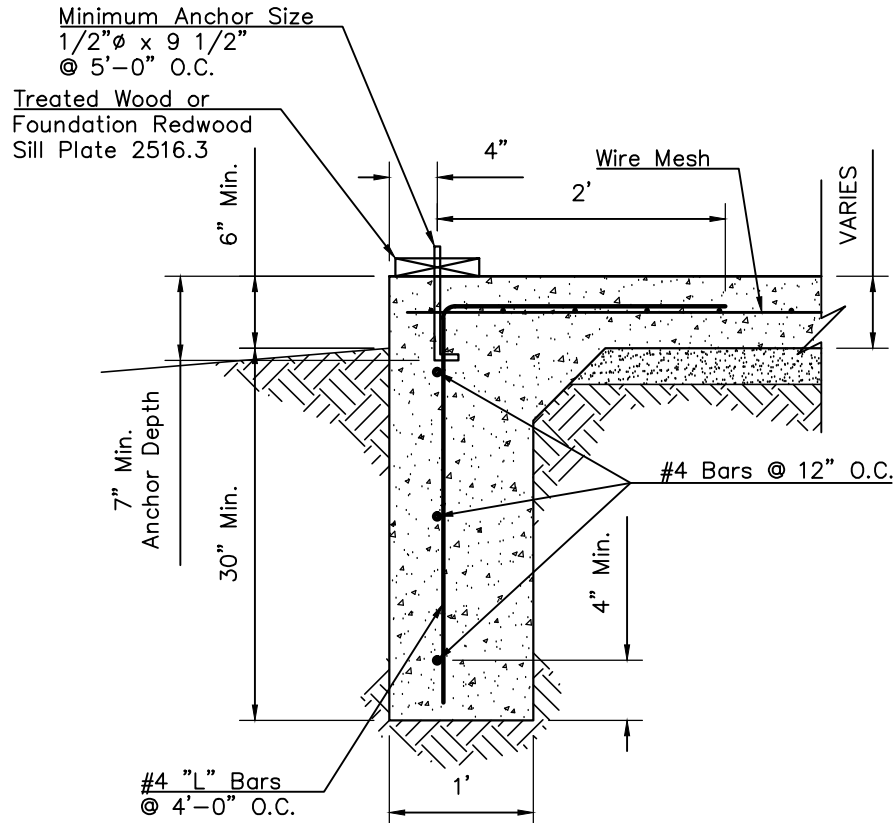
SHEET: 1 OF: 2

NO.	REVISION	DATE

TYPICAL MONOLITHIC FOUNDATION

TYPICAL FOOTING AND STEMWALL

NOTE: Minimum required footing shall be 24" wide by 12" tall with 1/2" rebar. Concrete used shall be 3,000psi mix or greater.



Foundation Elevation on Graded Sites

The top of any exterior foundation shall extend above the elevation of the street gutter at point of discharge or the inlet of an approved drainage device a minimum of twelve inches (12") plus two percent (2%). The building official may approve alternate elevations, provided it can be demonstrated that required drainage to the point of discharge and away from the structure is provided at all locations on the site.

0100-070

Inspection Details

MCPHERSON

BUILDING INSPECTION DEPARTMENT

Typical Footing Details

FILE: Footings_2015-07-10.dwg

DRAWN: RichardH

DATE: 2015-07-15

SCALE: NONE

SHEET: 2 OF: 2

NO. REVISION

DATE