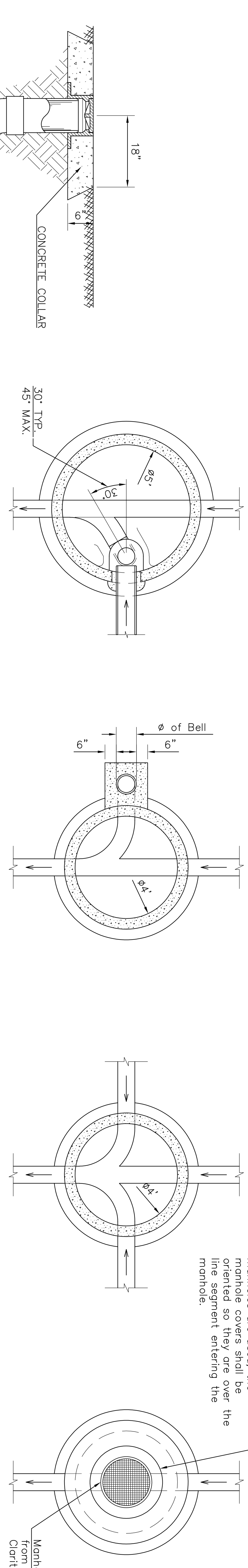
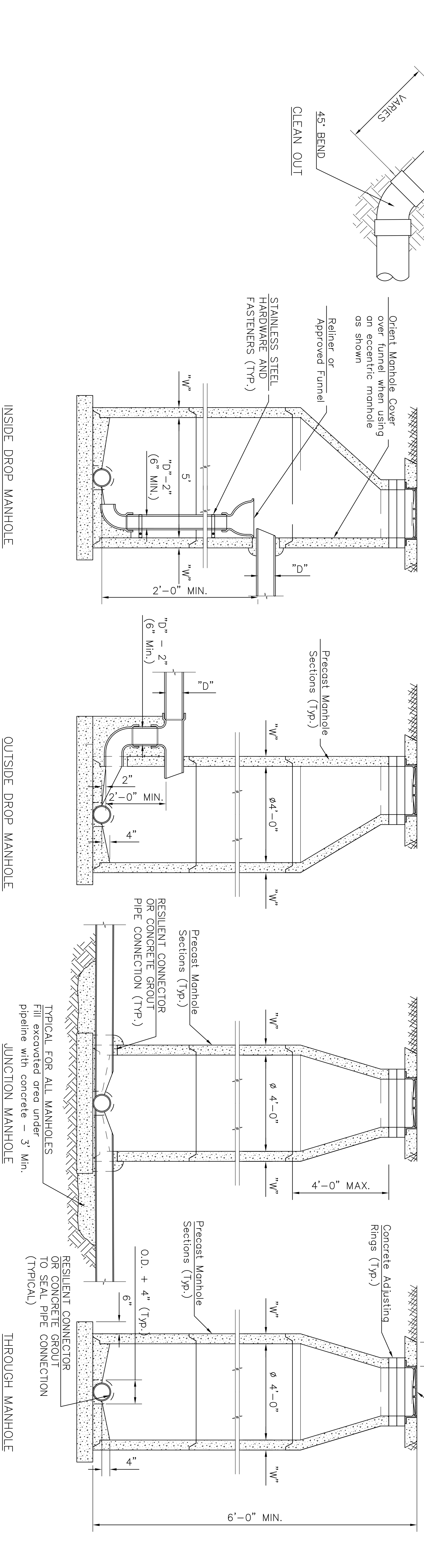


PLANS	BY	DATE
SURVEY:		
DESIGNED:		
DRAWN:		
CHECKED:		

NOTE: Concentric Manholes shall be used unless otherwise specified on the plans or by the Engineer. When eccentric manholes are used, the manhole covers shall be oriented so they are over the line segment entering the manhole.



45° BEND
VARIES
PIPE BEDDING MATERIAL PER CITY SPECIFICATIONS
CONCRETE COLLAR
30° TYP. 45° MAX.
PLAN
PLAN
PLAN
PLAN
Manhole Ring and Cover Deeter 1010 or Approved Equal
1' MIN.
Concrete Adjusting Rings (Typ.)
Precast Manhole Sections (Typ.)
RESILIENT CONNECTOR OR CONCRETE GROUT TO SEAL PIPE CONNECTION (TYPICAL)
RESILIENT CONNECTOR OR CONCRETE GROUT TO SEAL PIPE CONNECTION (TYPICAL)
RESILIENT CONNECTOR OR CONCRETE GROUT TO SEAL PIPE CONNECTION (TYPICAL)
RESILIENT CONNECTOR OR CONCRETE GROUT TO SEAL PIPE CONNECTION (TYPICAL)
RESILIENT CONNECTOR OR CONCRETE GROUT TO SEAL PIPE CONNECTION (TYPICAL)



Design File:	I:\PublicWorks\Standards\SanitarySewer\ManholeStd\ManholeStandardNoSteps.dwg
--------------	--

McPHERSON
CITY OF MCPHERSON, KANSAS
PUBLIC WORKS DEPT.

PLANS REVIEWED BY	DATE	APP'D	REVISION	BY	APP'D	PROJECT TITLE
				JRW	JCW	Manhole Standards for the City of McPherson, Kansas
				JRW	JCW	Manhole Standards for the City of McPherson, Kansas

PROJECT NO: ###
WORK ORDER NO: ---
AS BUILT DATE: ---
INSPECTOR: ---

FILE: McPhersonStandardsNoSteps.dwg
PLOT BY: Justin W
PLOT DATE: 2018-11-09
SHEET OF