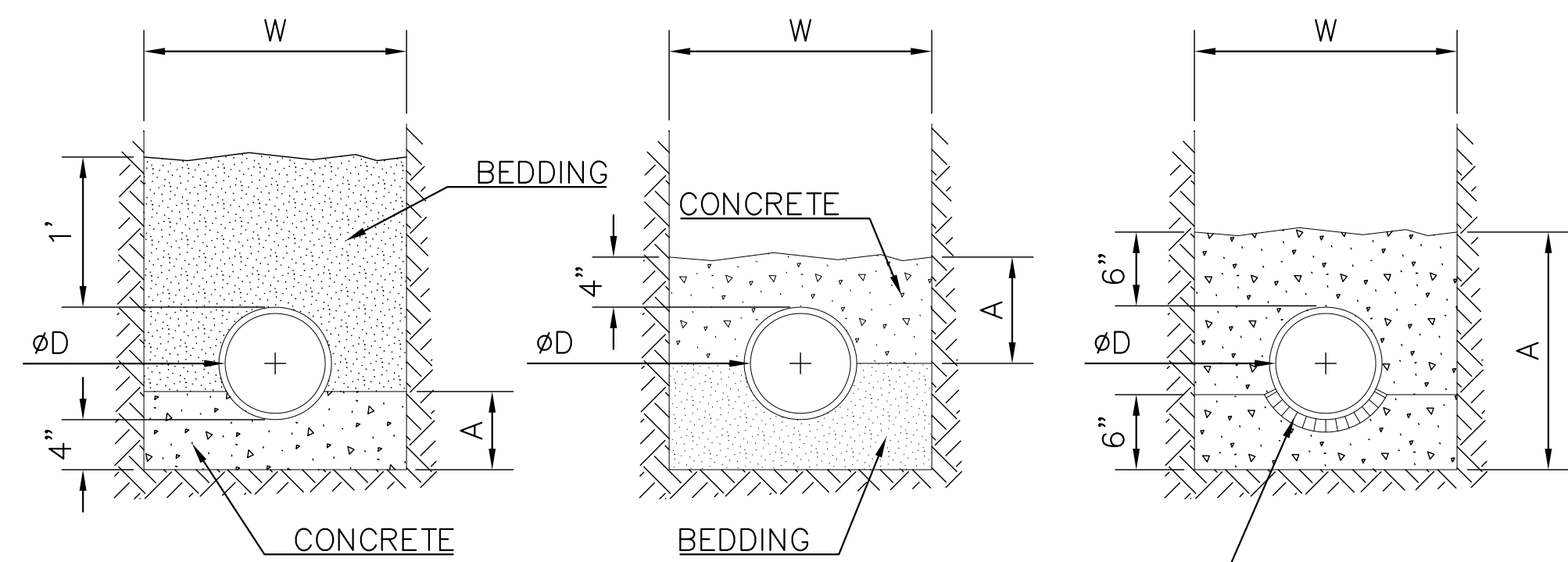


PLANS	BY	DATE
SURVEY:	NA	
DESIGNED:	JustinW	
DRAWN:	JustinW	
CHECKED:	JeffW	



CRADLE

CONCRETE ARCH

CONCRETE ENCASEMENT

1" SAND OR MORTAR FOR GRADE ADJUSTMENT IF SLAB IS CAST SEPARATELY

D	O.D.	W
IN.	IN.	IN.
8	9.50	24
10	11.75	24
12	14	26
15	17.5	30
18	21	33
21	24.5	36
24	28	40
27	31.5	44
30	35	48
36	41.5	54

CRADLE	
A	CONC.
IN.	C.Y./FT.
6.4	0.036
6.9	0.038
7.5	0.043
8.4	0.051
9.3	0.061
10.1	0.071
11.0	0.085
11.9	0.095
12.8	0.106
14.4	0.129

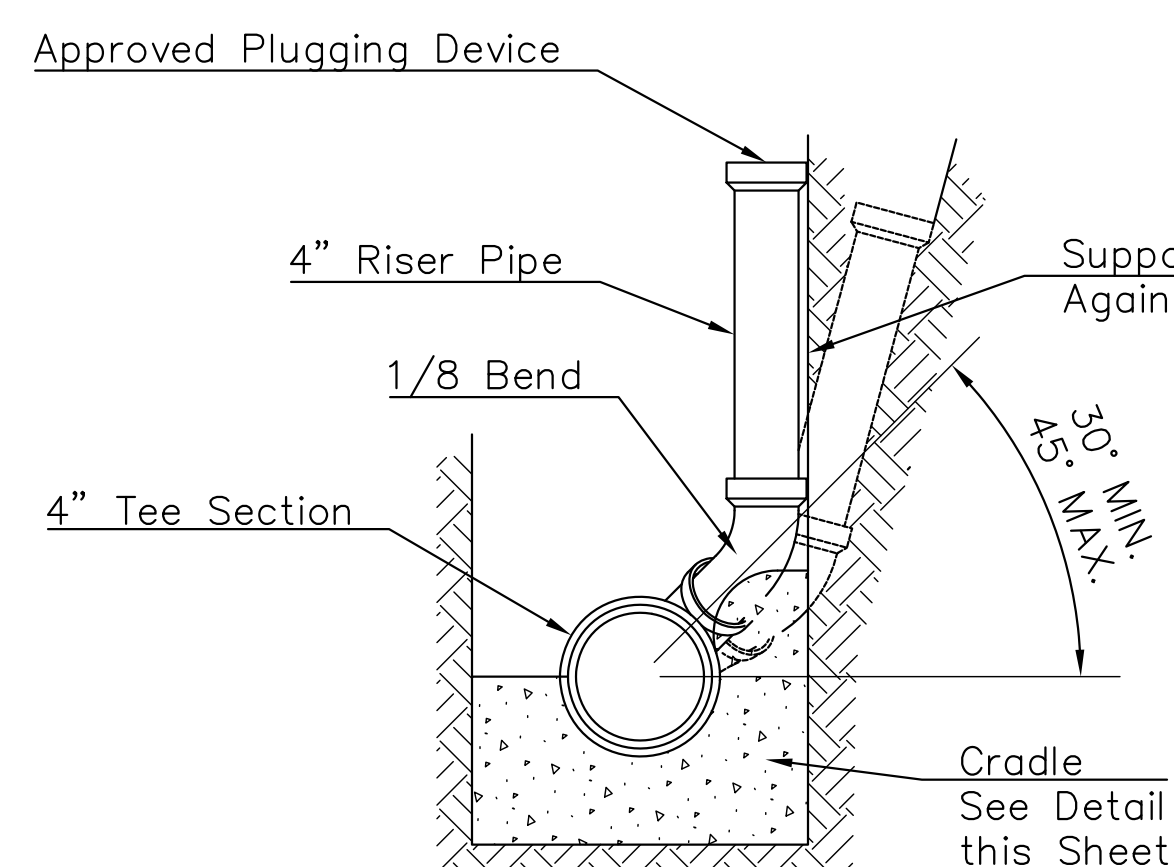
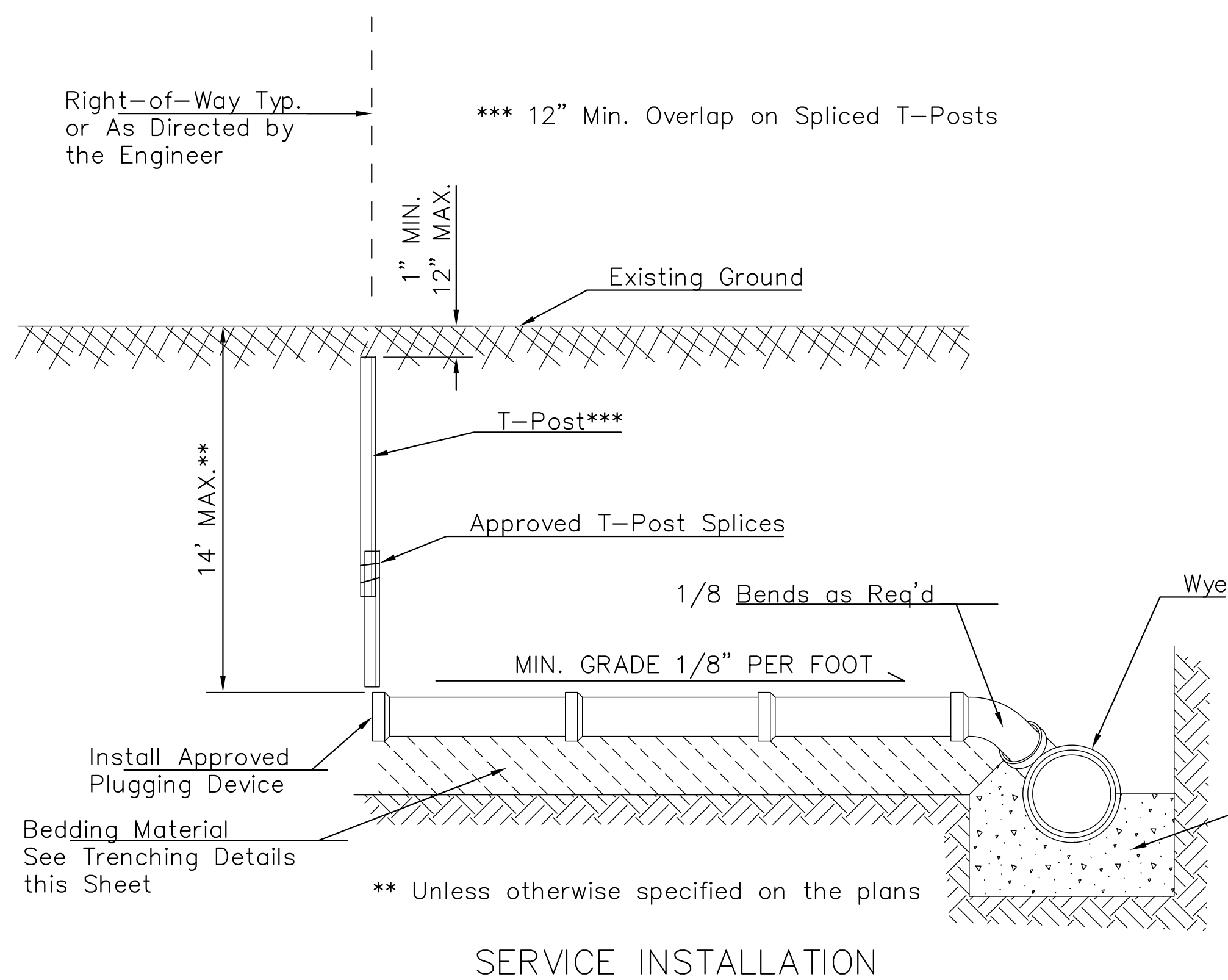
ARCH	
A	CONC.
IN.	C.Y./FT.
8.8	0.039
9.9	0.047
11.0	0.054
12.8	0.066
14.5	0.078
16.3	0.093
18.0	0.106
19.8	0.121
21.5	0.136
24.8	0.167

ENCASE	
A	CONC.
IN.	C.Y./FT.
21.5	0.102
23.8	0.117
26.0	0.134
29.5	0.162
33.0	0.191
36.5	0.222
40.0	0.256
43.5	0.286
47.0	0.321
53.5	0.388

SCHEDULE FOR CONCRETE CRADLE
CONCRETE ARCH AND CONCRETE ENCASEMENT

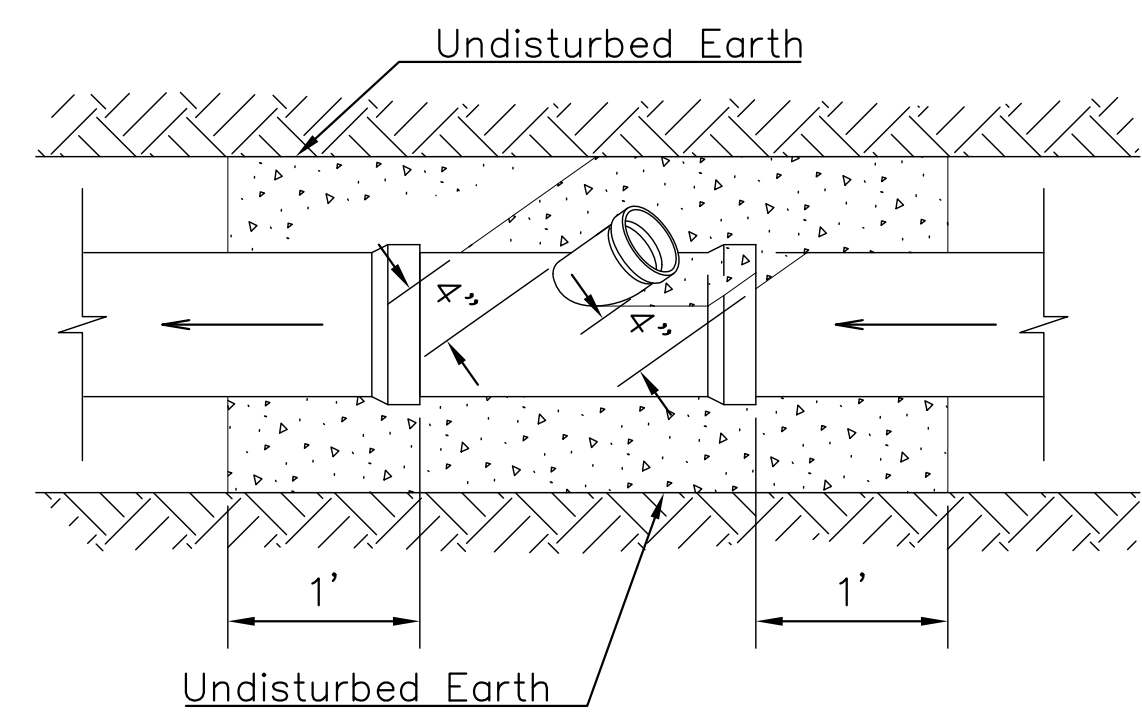
CONCRETE BLOCKING NOTES

1. A concrete cradle shall be placed at each wye location. The bell of the wye branch shall be within the cradle. The cost of cradling to be included in the price bid for wyes. Concrete used shall have a minimum compressive strength of 2500 psi per ASTM C387.
2. There shall be a minimum of 4 feet of pipe between wyes unless otherwise approved by the Engineer.
3. Bend and Riser as shown on the plans.
4. Concrete Blocking shall be installed unless otherwise specified in the plans or by the Engineer.



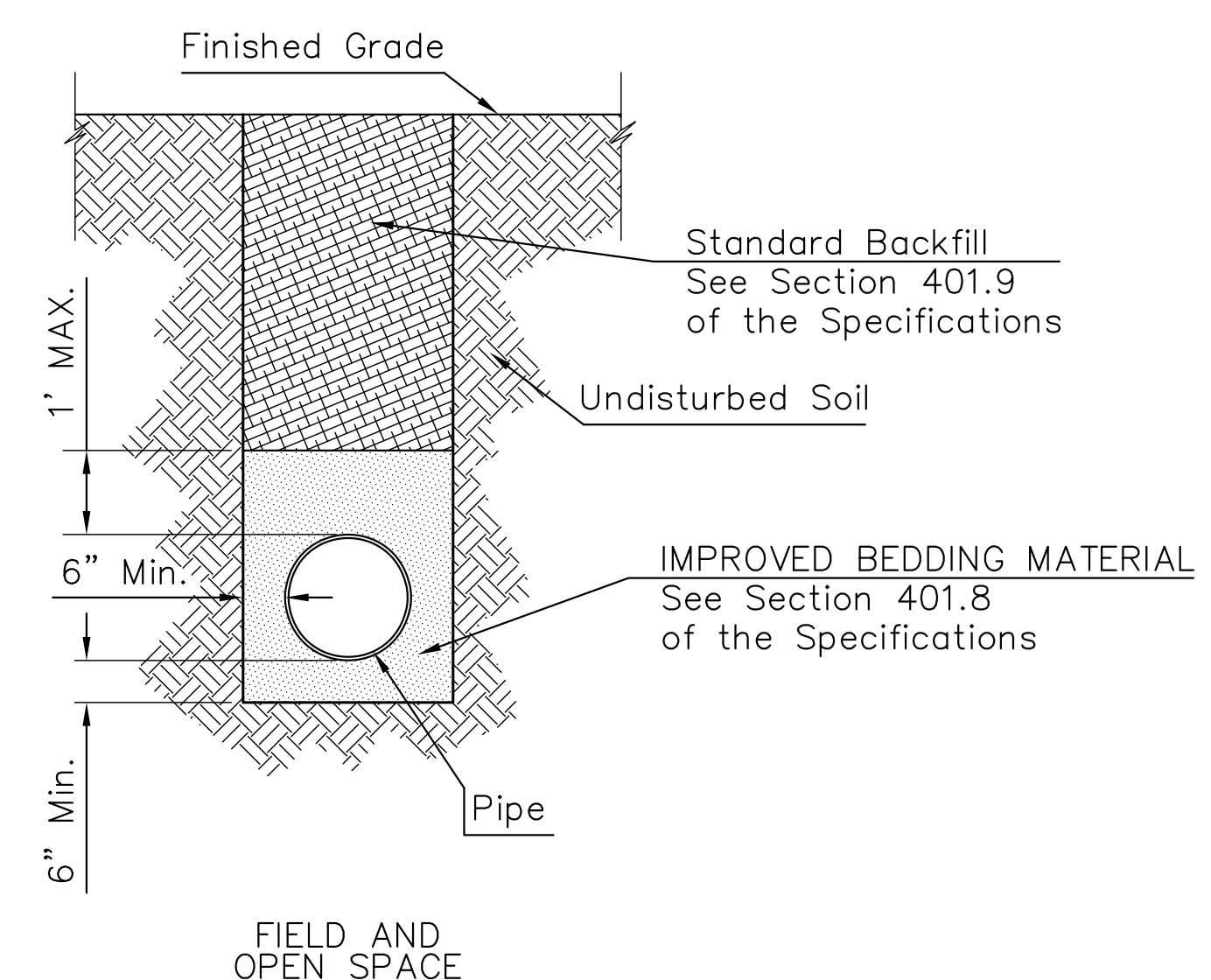
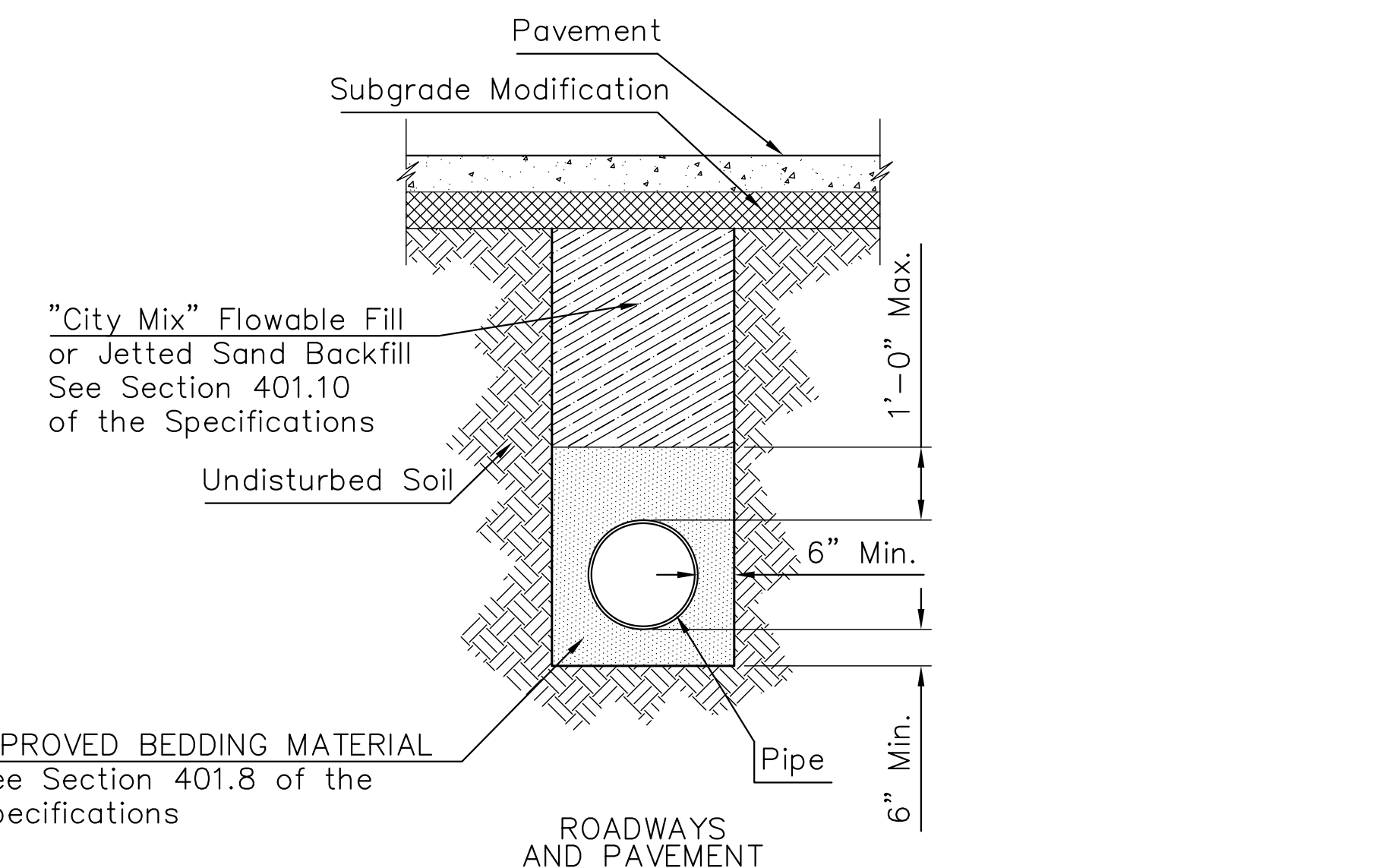
METHOD OF PLACING RISER PIPE ON WYE JUNCTIONS

4" Size is minimum for single family and duplex construction. Other services shall be sized as specified in plan & profile sheets.



METHOD OF PLACING CONCRETE AT WYE BRANCH LOCATIONS

Tee Sections or other approved fittings may be used with the approval of the Engineer.



TYPICAL TRENCH SECTIONS

No Scale

I:\PublicWorks\Standards\SanitarySewer\ServiceDetails.dwg

PLANS REVIEWED BY	DATE	APP'D	DATE	REVISION	BY	APP'D

FINAL PLANS
APPROVED FOR CONSTRUCTION

PROJECT TITLE
PROJECT DESCRIP
PROJECT LOC

Service Connection Details
Sanitary Sewer Service Connection Details for the City of McPherson, Kansas.

PROJECT NO:	PROJECT #	FILE:	ServiceDetails.dwg
WORK ORDER NO:	----	PLOT BY:	JustinW
AS BUILT DATE:		PLOT DATE:	2019-09-30
INSPECTOR:		SHEET	OF